



Data Sheet for Hino 300 Series Cargo Crane 3 ton
XZU730L-WKFTLV3(4x2) with Tadano Crane TM-ZE294MH
(Maximum Capacity :3,030kg @1.5m)
Lifting Capacity :2,330kg @2m



Chassis Model : Hino 3916	
Chassis Code : XZU730L-WKFTLV3	
Country of Manufacturer : Japan For Chassis & UAE for Cargo Body & Thailand for Crane	
Dimensions	mm
Overall Length (OL)	7,250
Overall Width (OW)	2,055
Overall Height (OH)	2,260
Wheel base (WB)	4,200
Weights	Kg
Vehicle mass	2,600
Loading capacity (Payload)	5,900
Gross Vehicle Mass (GVMR)	8,500
Engine	
Model & Emission	HINO N04C-WH – EURO3
Type	Diesel , Turbocharged and intercooled , 4 cycle , inline 4 Cylinder, overhead valve , water cooled . Suitable for weather and dusty area in Iraq.
Combustion system	Compression ignition, Four Stroke .
Displacement (L)	4.009 L
Compression ratio	18.0 : 1
Maximum Power /Speed	113 kW (154PS) @2,800 rpm (JIS Gross). 110 kW (150PS) @2,800 rpm (ISO Net).
Maximum Torque /Speed	422 Nm (43.1kgfm) @1,400 rpm (JIS Gross). 420 Nm (42.9kgfm) @1,400 rpm (JIS Net).
Fuel System(Fuel injection pump)	Electronic control common rail type. <i>Suitable for Iraqi Diesel & fuel.</i>
Clutch	
Type	Dry single plate with damper springs, automatic gap adjuster.
Gear Box	
Model	RE61 , manual 6 speed , with overdrive.

Handwritten signature
ر. مهندسين
نديم محمود شاكر
ر. اللجنة

ر. مهندسين اقدم
سعد صالح اغليم
عضو

ر. مهندسين اقدم
حيدر ياسين مهدي
عضو

ر. مهندسين
ليث كاظم ميرزا
عضو

ر. مهندسين
محسن قاسم عليوي
عضو

ممثل الشركة المجهزة
Handwritten signature
SARLAR MACHINERY



Data Sheet for Hino 300 Series Cargo Crane 3 ton
XZU730L-WKFTLV3(4x2) with Tadano Crane TM-ZE294MH
(Maximum Capacity :3,030kg @1.5m)
Lifting Capacity :2,330kg @2m



Axles	
Front Axle	
Type	Reversed Elliot, " I " section beam.
Capacity (kg)	3,020
Rear Axle	
Type	Full-floating, single reduction, single speed by hypoid gearings.
Capacity (kg)	5,760
Steering	
Type	LHD,Telescopic and tilt steering column , recirculating ball integral power steering.
Tire & Wheel	
Front & Rear	7.50R16 , rib type tread.
No. of Tires	7 (including 1 spare tire).
Wheels	16x6.00GS with 6 studs.
Suspension	
Front	Semi-elliptic tapered leaf springs with double acting shock absorbers.
Rear	Semi-elliptic main and auxiliary leaf spring with double acting shock absorber.
Braking System	
Service Brake	Dual circuit hydraulic , vacuum assist , Disc Brakes, ABS Equipped.
Parking Brake	Mechanical, internal expanding acting on transmission output shaft.
Exhaust Brake	Equipped.
Electrical	
No. of Batteries	2 x 12 V ,60Ah.
Alternator	24 V ,60Ah.
Horn	Electric Horn.
Fuel tank	
Capacity	100 L

ر.مهندسين
نديم محمود شاكر
ر.اللجنة

ر.مهندسين اقدم
سعد صالح اعليم
عضو

ر.مهندسين اقدم
حيدر ياسين مهدي
عضو

ر.مهندسين
ليث كاظم ميرزا
عضو

ر.مهندسين
محسن قاسم عليوي
عضو



Data Sheet for Hino 300 Series Cargo Crane 3 ton
XZU730L-WKFTLV3(4x2) with Tadano Crane TM-ZE294MH
(Maximum Capacity :3,030kg @1.5m)
Lifting Capacity :2,330kg @2m



Fuel filter	Primary with (water separator) and secondary filter.
CABIN	
Type	Forward control, all steel welded construction , High roof , mechanical tilt with torsion assist.
Front Windshield	Heat absorbing , Laminated glass.
Seating capacity	Three.
Front seat	4-way adjustable, driver seat , fixed back passenger seat integrated type .
Seat cover	Fabric type.
Seatbelt	3 Point ELR (emergency locking retractor) belt with pre-tensioner on driver and outer passenger seat. 2 point NR (Non Retractor) belt on center passenger seat.
SRS Airbag system	Equipped (Driver & Passenger side).
Sun visor	Equipped (both side).
Windshield wiper	2-speed with wash intermittent.
Outside rear view mirror	Equipped
Inside Mirror	Equipped
Air condition	Equipped with clean air filter .
Car Audio	Radio with CD Player (2 speakers).
Cigar lighter	Equipped.
Door Lock	Equipped.
Instrument	
Speedometer	Equipped (Km/h).
Tachometer	Equipped.
Coolant temperature gauge	Equipped.
Fuel gauge	Equipped.
Brake warning	Brake fluid level and vacuum pressure warning lamp & buzzer.
Seatbelt warning	Equipped (driver & outer passenger seat).
Cab tilt warning lamp	Equipped (with indicator light and buzzer).


ر.مهندسين
نديم محمود شاكر
ر.اللجنة

ر.مهندسين أقدم
سعد صالح اغليم
عضو

ر.مهندسين أقدم
حيدر ياسين مهدي
عضو

ر.مهندسين
ليث كاظم ميرزا
عضو

ر.مهندسين
محسن قاسم عليوي
عضو

ممثل الشركة بالهجرة
SARAR
21/12/2021



Data Sheet for Hino 300 Series Cargo Crane 3 ton
XZU730L-WKFTLV3(4x2) with Tadano Crane TM-ZE294MH
(Maximum Capacity :3,030kg @1.5m)
Lifting Capacity :2,330kg @2m



MODEL : **TM-ZE294MH** ----- with hook
stowing device

CRANE SPECIFICATIONS

CRANE CAPACITY 3,030 kg at 1.5 m (4-part lines)

BOOM Four-sectioned, fully powered partly synchronized telescoping boom of pentagonal box construction
Retracted length ----- 3.17 m
Extended length ----- 8.9 m
Extending speed ----- 5.73 m / 13 s
Elevation ----- Elevated by a double-acting hydraulic cylinder
Elevating speed ----- 1° to 76° / 6 s
Boom point ----- 2 sheaves

WINCH Hydraulic motor driven Spur gear speed reduction, provided with mechanical brake
Single line pull ----- 7.45 kN {760 kgf}
Single line speed ----- 68 m/min.(at 4th layer)
Wire rope Diameter x length ---- 8 mm x 56 m
Breaking strength ---- 43.1 kN {4.39 tf}
Construction ----- 7 x 7 + 6 x WS(26)

Hook block -----2 sheaves
Mechanically stowed beneath boom top portion

HOOK STOWING DEVICE

ر.مهندسين
نديم محمود شاكر
ر.اللجنة

ر.مهندسين أقدم
سعد صالح اغليم
عضو

ر.مهندسين أقدم
حيدر ياسين مهدي
عضو

ر.مهندسين
ليث كاظم ميرزا
عضو

ر.مهندسين
محسن قاسم عليوي
عضو

ممثل الشركة
21/12/2021



Data Sheet for Hino 300 Series Cargo Crane 3 ton
XZU730L-WKFTLV3(4x2) with Tadano Crane TM-ZE294MH
(Maximum Capacity :3,030kg @1.5m)
Lifting Capacity :2,330kg @2m



SLEWING

Hydraulic motor driven Worm gear speed reduction Continuous 360° full circle slewing on ball bearing slew ring Automatic slewing lock
Slewing speed ----- 2.5 min⁻¹ {rpm}

OUTRIGGERS

Manually extended sliders and hydraulically extended jacks
Integral with crane frame Power up and down
Extension width ----- Min. 1,720 mm
Mid. 2,900 mm, 2,400 mm
Max. 3,400 mm

HYDRAULICS

Hydraulic pump----- Single gear pump
Hydraulic motors ----- Axial piston type for winch
Axial piston type for slewing
Control valves ----- Multiple control valves with
Integral safety valve
Oil tank capacity ----- approx. 22 L

SAFETY DEVICES

Load meter
Load indicator
Over-winding alarm Anti-two-block device
P.T.O indicator
lamp Hook safety latch
Hydraulic safety valves, check valves and holding valves
Level gauge

CRANE MASS

Approx. 1,035 kg (includes standardized mounting parts)

NOTE : Operating speeds of the crane are guaranteed under the condition that the pump delivery is 53 L /min.

ر.مهندسين
تديم محمود شاكر
ر.اللجنة

ر.مهندسين اقدم
سعد صالح اعليم
عضو

ر.مهندسين اقدم
حيدر ياسين مهدي
عضو

ر.مهندسين
ليث كاظم ميرزا
عضو

ر.مهندسين
محسن قاسم عليوي
عضو





Data Sheet for Hino 300 Series Cargo Crane 3 ton
XZU730L-WKFTLV3(4x2) with Tadano Crane TM-ZE294MH
(Maximum Capacity :3,030kg @1.5m)
Lifting Capacity :2,330kg @2m



RATED LIFTING CAPACITIES IN KILOGRAMS

Crane Strength Rated Capacities

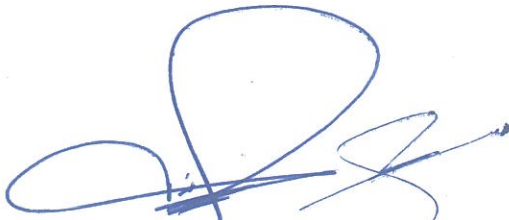
Load Radius	3.17 m / 5.12 m Boom	Load Radius	7.01 m Boom	Load Radius	8.9 m Boom
1.5 m and below	3,030	2.2 m and below	1,880	3.0 m and below	1,030
2.0 m	2,330	2.5 m	1,680	3.5 m	930
2.5 m	1,880	3.0 m	1,430	4.0 m	830
3.0 m	1,500	3.5 m	1,230	5.0 m	680
3.5 m	1,250	4.0 m	1,080	6.0 m	580
4.0 m	1,080	4.5 m	930	7.0 m	480
4.5 m	930	5.0 m	830	8.0 m	400
4.92m	850	5.5 m	730	8.7 m	350
		6.0 m	650		
		6.81m	580		

- NOTES : 1. The mass of hook block (30kg), slings and all similarly used load lifting devices must be added to the mass of the load.
2. The above numerical values of total rated loads are based on crane strength only. The total rated loads based on stability may lower than those in the above table depending on the loading conditions and the types of the chassis.

Empty Chassis Rated Capacities

Table A

Load Radius	3.17 m / 5.12 m Boom		Load Radius	7.01 m Boom	Load Radius	8.9 m Boom
	Extension width of outriggers			Extension width of outriggers		Extension width of outriggers
	Maximum	Minimum		Maximum		Maximum
1.5 m and below	3,030	1,580	2.2 m and below	1,880	3.0 m and below	980
2.0 m	2,280	980	2.5 m	1,630	3.5 m	830
2.5 m	1,730	680	3.0 m	1,150	4.0 m	680
3.0 m	1,180	480	3.5 m	880	5.0 m	450
3.5 m	880	380	4.0 m	680	6.0 m	350
4.0 m	680	280	4.5 m	580	7.0 m	280
4.5 m	580	250	5.0 m	480	8.0 m	230
4.92m	530	230	5.5 m	400	8.7 m	200
			6.0 m	350		
			6.81 m	300		


ر. مهندسين
نديم محمود شاكر
ر. اللجنة

ر. مهندسين اقدم
سعد صالح اعليم
عضو

ر. مهندسين اقدم
حيدر ياسين مهدي
عضو

ر. مهندسين
ليث كاظم ميرزا
عضو

ر. مهندسين
محسن قاسم عليوي
عضو


ممثل الشركة
21/2/2021



Data Sheet for Hino 300 Series Cargo Crane 3 ton
XZU730L-WKFTLV3(4x2) with Tadano Crane TM-ZE294MH
(Maximum Capacity :3,030kg @1.5m)
Lifting Capacity :2,330kg @2m



Table C

Load Radius	3.17 m / 5.12 m Boom		Load Radius	7.01 m Boom	Load Radius	8.9 m Boom
	Extension width of outriggers					
	Maximum	Minimum		Maximum		
1.5 m and below	3,030	1,580	2.2 m and below	1,880	3.0 m and below	980
2.0 m	2,280	980	2.5 m	1,630	3.5 m	880
2.5 m	1,830	680	3.0 m	1,330	4.0 m	780
3.0 m	1,380	480	3.5 m	1,030	5.0 m	550
3.5 m	1,030	380	4.0 m	800	6.0 m	430
4.0 m	830	280	4.5 m	680	7.0 m	330
4.5 m	680	250	5.0 m	580	8.0 m	280
4.92m	580	230	5.5 m	480	8.7 m	250
			6.0 m	430		
			6.81 m	350		

Table D

Load Radius	3.17 m / 5.12 m Boom		Load Radius	7.01 m Boom	Load Radius	8.9 m Boom
	Extension width of outriggers					
	Maximum	Minimum		Maximum		
1.5 m and below	3,030	1,580	2.2 m and below	1,880	3.0 m and below	1,030
2.0 m	2,330	980	2.5 m	1,680	3.5 m	930
2.5 m	1,880	680	3.0 m	1,430	4.0 m	830
3.0 m	1,500	480	3.5 m	1,230	5.0 m	680
3.5 m	1,250	380	4.0 m	1,080	6.0 m	580
4.0 m	1,080	280	4.5 m	930	7.0 m	480
4.5 m	930	250	5.0 m	830	8.0 m	400
4.92m	850	230	5.5 m	730	8.7 m	350
			6.0 m	650		
			6.81m	580		

ر.مهندسين
نديم محمود شاكر
ر.اللجنة

ر.مهندسين أقدم
سعد صالح اغليم
عضو

ر.مهندسين أقدم
حيدر ياسين مهدي
عضو

٧٠٠

نقل

ر.مهندسين
ليث كاظم ميرزا
عضو

ر.مهندسين
محسن قاسم عليوي
عضو

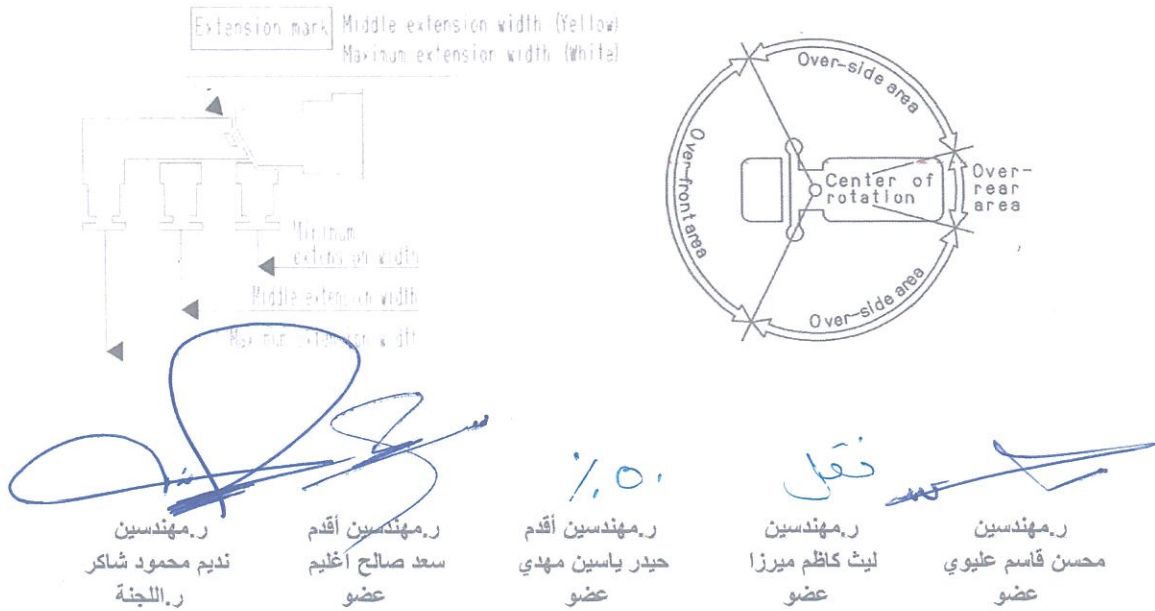
ممثل اللجنة
11/2/2021



Data Sheet for Hino 300 Series Cargo Crane 3 ton
XZU730L-WKFTLV3(4x2) with Tadano Crane TM-ZE294MH
(Maximum Capacity :3,030kg @1.5m)
Lifting Capacity :2,330kg @2m



- NOTES : 1. Empty Chassis Rated Capacities in these tables depend on condition that crane is set level on firm level ground.
2. The mass of hook block (30 kg), slings and all similarly used load lifting devices must be added to the mass of load.
3. For boom lengths not shown, use the rated lifting capacity of next longer boom.
4. When outriggers are extended to middle extension width, use the rated lifting capacities for outriggers are extended to minimum extension width .
5. For boom lengths longer than 5.12m, extend outriggers to maximum extension width.
6. When the boom length is 7.01 m, a half of the mark on lateral face of the 3rd boom section is exposed out of the 2nd boom section.
7. Empty Chassis Rated Capacities table A, C and D depend on the types of chassis.
8. Empty Chassis Rated Capacities are shown for over-side areas and over-rear area. These capacities for over-front area may be lowered depending on the types of chassis.



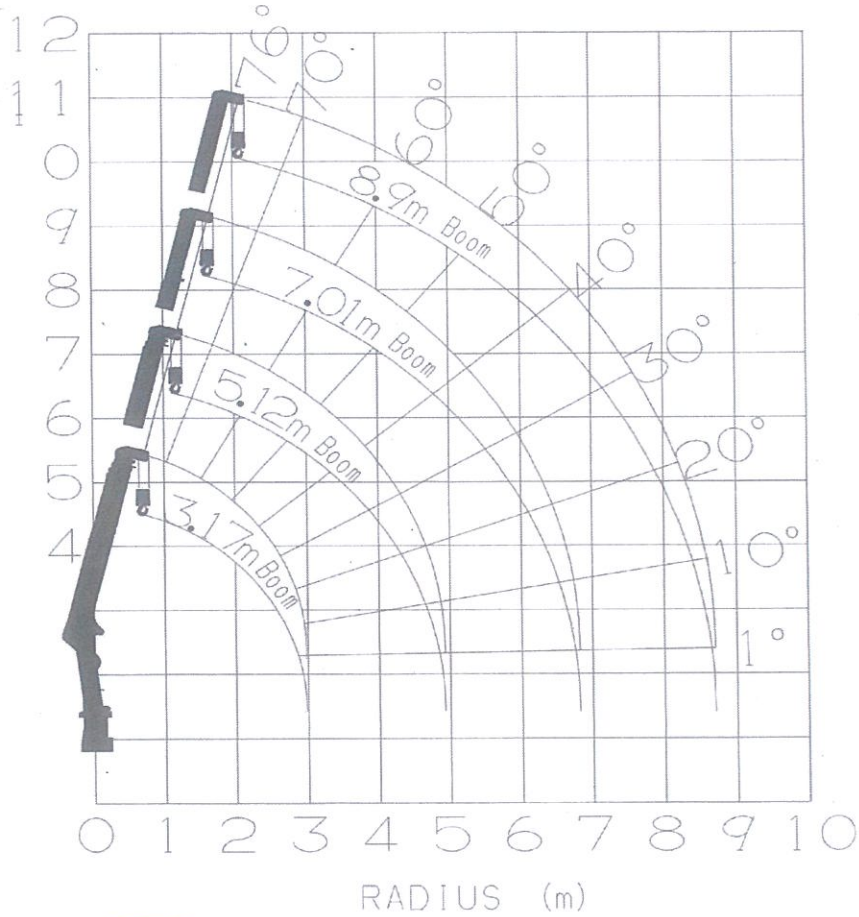
ممثل الشركة المحترم
[Signature]



Data Sheet for Hino 300 Series Cargo Crane 3 ton
XZU730L-WKFTLV3(4x2) with Tadano Crane TM-ZE294MH
(Maximum Capacity :3,030kg @1.5m)
Lifting Capacity :2,330kg @2m



WORKING RANGE



NOTE: The above lifting heights and boom angles are based on a straight (unladen) boom, and allowance should be made for boom deflection obtained under laden conditions

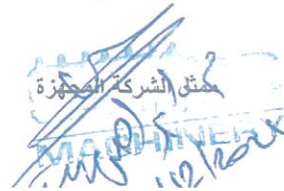
ر.مهندسين
نديم محمود شاكر
ر.اللجنة

ر.مهندسين اقدم
سعد صالح اعليم
عضو

ر.مهندسين اقدم
حيدر ياسين مهدي
عضو

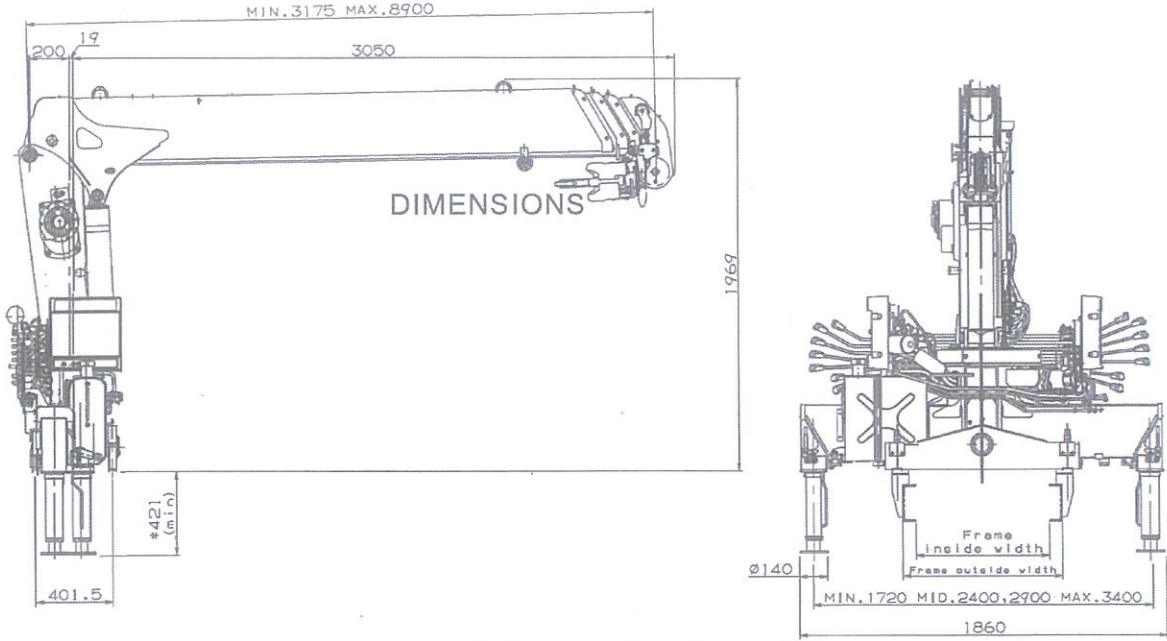
ر.مهندسين
ليث كاظم ميرزا
عضو

ر.مهندسين
محسن قاسم عليوي
عضو





Data Sheet for Hino 300 Series Cargo Crane 3 ton
XZU730L-WKFTLV3(4x2) with Tadano Crane TM-ZE294MH
(Maximum Capacity :3,030kg @1.5m)
Lifting Capacity :2,330kg @2m



GENERAL DATA FOR SUITABLE TRUCKS

Gross vehicle mass (including crane mass)	4,500 to 8,000 kg
P.T.O. torque	140 N-m {14.3 kgf-m} min.
P.T.O. revolution	Approx. 300 to 1,700 min ⁻¹ {rpm}
Width for crane mounting	Approx. 605 mm min.
Frame	Weight distribution and frame strength should be calculated for each truck
Frame width range (inside to outside)	Approx. 680 to 860 mm
Frame height (ground to frame top)	Approx. 1,010 mm max. (Height of crane mounting base can be changed by combination of jack floats and crane bases)

ر.مهندسين
نديم محمود شاكر
ر.اللجنة

ر.مهندسين اقدم
سعد صالح اعليم
عضو

ر.مهندسين اقدم
حيدر ياسين مهدي
عضو

ر.مهندسين
ليث كاظم ميرزا
عضو

ر.مهندسين
محسن قاسم عليوي
عضو





Data Sheet for Hino 300 Series Cargo Crane 3 ton
XZU730L-WKFTLV3(4x2) with Tadano Crane TM-ZE294MH
(Maximum Capacity :3,030kg @1.5m)
Lifting Capacity :2,330kg @2m



Chassis Model : Hino 3916	
Chassis Code : XZU730L-WKFTLV3	
Country of Manufacturer : Japan For Chassis & UAE for Cargo Body & Thailand for Crane	
Body Dimensions	mm
Body Length	5,000
Body Width	2,050
Body Height	400
Floor thickness	4mm (chequered plate)
Drop side doors	Equipped

ر.مهندسين
نديم محمود شاكر
ر.اللجنة

ر.مهندسين اقدم
سعد صالح اغليم
عضو

ر.مهندسين اقدم
حيدر ياسين مهدي
عضو

ر.مهندسين
ليث كاظم ميرزا
عضو

ر.مهندسين
محسن قاسم عليوي
عضو