



Data Sheet for Hino 500 Series Cargo Crane 5 ton
FG8JJ7A-JG3 (4x2) with Tadano Crane TM-ZT504H
(Lifting Capacity : 5,050kg @2.5m)



Axles	
Front Axle	
Type	Reversed Elliot, " I " beam.
Rating Capacity (kg)	7,500.
Rear Axle	
Type	Full-floating, single reduction, single speed by hypoid gearings.
Rating Capacity (kg)	11,500.
Steering	
Type	LHD, Telescopic and tilt steering column , recirculating ball integral power steering.
Tire & Wheel	
Front & Rear	10.00R20
No. of Tires	7 (including 1 spare tire).
Wheels	20 x 7.50V, ISO 10 stud wheel.
Suspension	
Front	Semi-elliptic leaf springs with single action shock absorbers
Rear	Semi-elliptic main and auxiliary leaf springs (reinforced type)
Braking System	
Service Brake	Full air, S-cam, leading and trailing shoes Service, Dual circuit , ABS Equipped.
Parking Brake	Air operated spring brake acting on rear axle, for emergency and parking purpose.
Exhaust Brake	Equipped .
Electrical	
No. of Batteries	24 V ,65Ah .
Alternator	24 V ,60Ah.
Horn	Electric Horn.
Fuel tank	
Capacity	200 L .
Fuel filter	Equipped with pre-filter and sedimenter.

ر.مهندسين
نديم محمود شاكر
ر.اللجنة

ر.مهندسين اقدم
سعد صالح اغليم
عضو

ر.مهندسين اقدم
حيدر ياسين مهدي
عضو

ر.مهندسين
ليث كاظم ميرزا
عضو

ر.مهندسين
محسن قاسم عليوي
عضو




Data Sheet for Hino 500 Series Cargo Crane 5 ton
FG8JJ7A-JG3 (4x2) with Tadano Crane TM-ZT504H
(Lifting Capacity : 5,050kg @2.5m)





CABIN	
Type	Forward control, all steel welded construction with torsion bar tilt mechanism.
Seating capacity	Three.
Driver seat	High-back 750mm, 8-way adjustable seat .
Seat cover	Vinyl Cover
Seatbelt	Equipped with ELR (Emergency Locking Retractor) and warning.
Sun visor	Driver only.
Windshield wiper	2-speed with wash and intermittent.
Outside rear view mirror	Equipped .
Air condition	Equipped .
Car Audio	AM/FM radio with CD player.
Cigar lighter	Equipped.
Door Lock	Equipped .
Instrument	
Speedometer	Equipped (Km/h).
Tachometer and over run warning	Equipped with buzzer.
Fuel gauge	Equipped.
Coolant temperature gauge	Equipped.
Air pressure gauge	Equipped.


ر.مهندسين
نديم محمود شاكر
ر.اللجنة


ر.مهندسين أقدم
سعد صالح اعليم
عضو


ر.مهندسين أقدم
حيدر ياسين مهدي
عضو


ر.مهندسين
ليث كاظم ميرزا
عضو


ر.مهندسين
محسن قاسم عليوي
عضو


ممثل الشركة بالمجهزة
SARLAR MACHINERY



Data Sheet for Hino 500 Series Cargo Crane 5 ton
FG8JJ7A-JG3 (4x2) with Tadano Crane TM-ZT504H
(Lifting Capacity : 5,050kg @2.5m)



TADANO CARGO CRANE MODEL :

TM-ZT504H CRANE

SPECIFICATIONS

CRANE CAPACITY

5,050 kg at 2.5 m (5-part line)

BOOM

Four-sectioned, fully powered partly synchronized telescoping boom
of pentagonal box construction

Retracted length ----- 3.55 m

Extended length ----- 10.8 m

Extending speed ----- 7.25 m / 21

s

Elevation ----- Elevated by a double-acting
Hydraulic

cylinder Elevating speed ----- 1° to 78°

/ 12 s Boom point ----- 3 sheaves

WINCH

Hydraulic motor driven Spur gear speed reduction, provided
with mechanical brake and cable follower

Single line pull ----- 9.90 kN{1,010 kgf}

Single line speed ----- 66 m/min.(at 4th

layer) Wire rope

Diameter x length ----- 8 mm x 82 m

Breaking strength ----- 50.1 kN{5,100 kgf}

Construction ----- 7 x 7 + 6 x

WS(26)

Hook block ----- 2 sheaves

HOOK STOWING DEVICE

Mechanically stowed beneath boom top portion


ر.مهندسين
نديم محمود شاكر
ر.اللجنة

ر.مهندسين
سعد صالح اعليم
عضو

ر.مهندسين
حيدر ياسين مهدي
عضو

ر.مهندسين
ليث كاظم ميرزا
عضو

ر.مهندسين
محسن قاسم عليوي
عضو



Data Sheet for Hino 500 Series Cargo Crane 5 ton
FG8JJ7A-JG3 (4x2) with Tadano Crane TM-ZT504H
(Lifting Capacity : 5,050kg @2.5m)



SLEWING

Hydraulic motor driven Worm gear speed reduction
Continuous 360° full circle slewing on ball bearing slew ring
Automatic slewing lock
Slewing speed ————— 2.5 min⁻¹ {rpm}

OUTRIGGERS

Manually extended sliders and hydraulically extended jacks
Integral with crane frame Power up and down
Extended width ————— Min. 2,200 mm
Mid. 3,000 mm
Max.3,800 mm

HYDRAULICS

Hydraulic pump ————— Single gear pump
Hydraulic motors ————— Axial piston type for winch
Axial piston type for slewing
Control valves ————— Multiple control valves with integral
safety valve
Oil tank capacity ————— Approx. 90 L

SAFETY DEVICES

Load meter
Load indicator
Over-winding alarm
Anti-two-block device
Hook safety latch
Hydraulic safety valves, check valves and holding valves
Level gauge

CRANE MASS

Approx. 1,730 kg (except mounting parts)

NOTE : Operating speeds of the crane are guaranteed under the condition that the pump
delivery is 60 L/min.

ر.مهندسين
نديم محمود شاكر
ر.اللجنة

ر.مهندسين أقدم
سعد صالح اغليم
عضو

ر.مهندسين أقدم
حيدر ياسين مهدي
عضو

ر.مهندسين
محسن قاسم عليوي
عضو



Data Sheet for Hino 500 Series Cargo Crane 5 ton
FG8JJ7A-JG3 (4x2) with Tadano Crane TM-ZT504H
(Lifting Capacity : 5,050kg @2.5m)



RATED LIFTING CAPACITIES IN KILOGRAMS

Crane Strength Rated Capacities

Load Radius	3.55 m Boom	Load Radius	5.99 m Boom	Load Radius	8.39 m Boom	Load Radius	10.8 m Boom
2.5 m and below	5,050	2.95 m and below	4,050	3.8 m and below	3,130	4.5 m and below	2,030
2.95 m	4,050	3.8 m	3,130	4.1 m	2,930	5.0 m	1,830
3.33 m	3,630	4.1 m	2,930	4.5 m	2,580	6.0 m	1,480
		4.5 m	2,580	5.0 m	2,280	7.0 m	1,230
		5.0 m	2,280	5.5 m	2,030	8.0 m	1,080
		5.77 m	1,900	6.0 m	1,830	9.0 m	980
				6.5 m	1,680	10.0 m	880
				7.0 m	1,550	10.58 m	830
				7.5 m	1,430		
				8.17m	1,280		

- NOTES : 1. The above numerical values of total rated loads are based on crane strength only. The total rated loads based on stability may lower than those in the above table depending on the loading conditions and the types of the chassis.
2. Rated Lifting Capacities in these tables depend on condition that crane is set level on firm level ground.
3. The mass of the hook (50 kg), slings and all similarly used load lifting devices must be added to the mass of the load.
4. For boom lengths not shown, use the rated lifting capacity of next longer boom.
5. 8.39m boom means □ mark on 3rd boom section side plate is half seen.

ر.مهندسين
نديم محمود شاكر
ر.اللجنة

ر.مهندسين اقدم
سعد صالح اغليم
عضو

ر.مهندسين اقدم
حيدر ياسين مهدي
عضو

ر.مهندسين
ليث كاظم ميرزا
عضو

ر.مهندسين
محسن قاسم عليوي
عضو

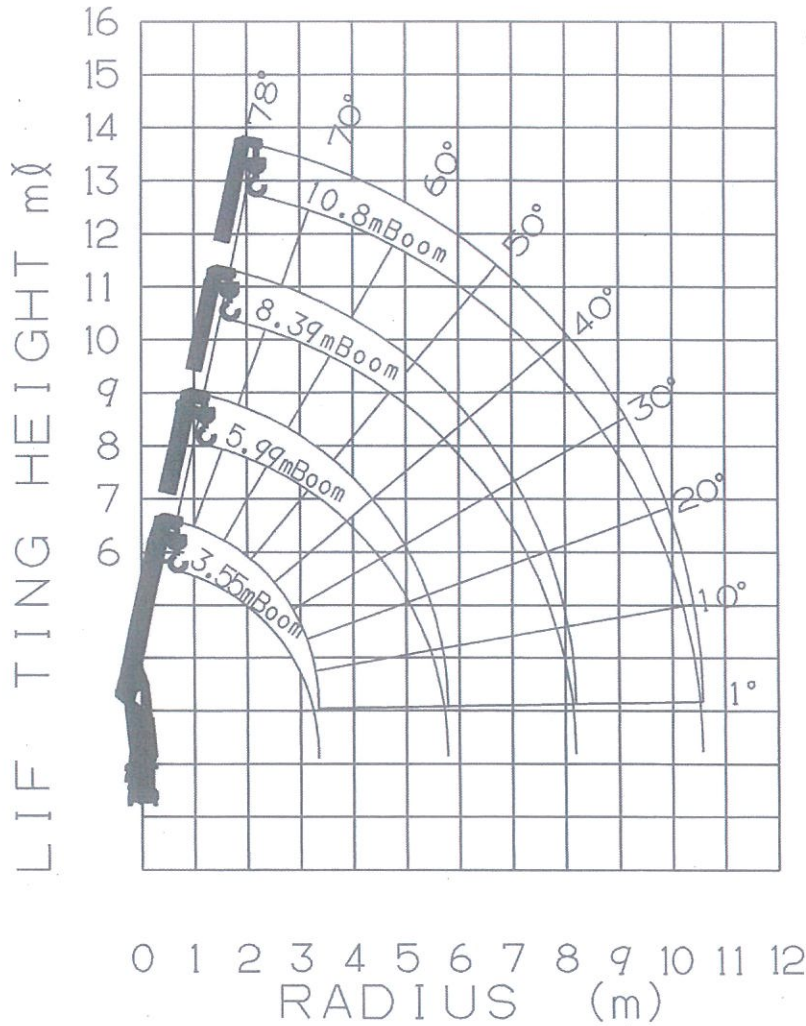
ممثل الشركة المجهزة
11/4/2021



Data Sheet for Hino 500 Series Cargo Crane 5 ton
FG8JJ7A-JG3 (4x2) with Tadano Crane TM-ZT504H
(Lifting Capacity : 5,050kg @2.5m)



WORKING RANGE



NOTE: The above lifting heights and boom angles are based on a straight (unladen) boom, and allowance should be made for boom deflection obtained under laden conditions.

ر.مهندسين
نديم محمود شاكر
ر.اللجنة

ر.مهندسين اقدم
سعد صالح اغليم
عضو

ر.مهندسين اقدم
حيدر ياسين مهدي
عضو

ر.مهندسين
ليث كاظم ميرزا
عضو

ر.مهندسين
محسن قاسم عليوي
عضو

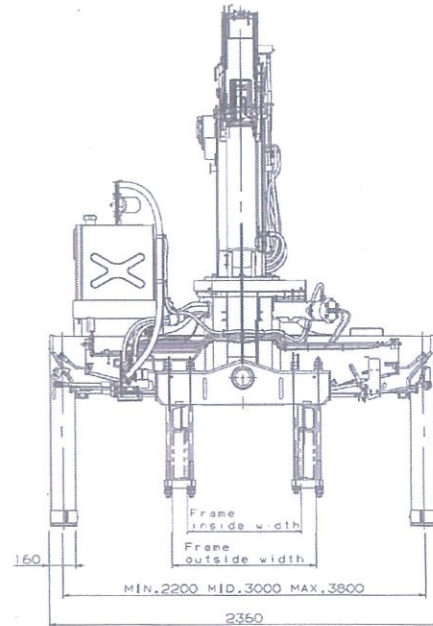
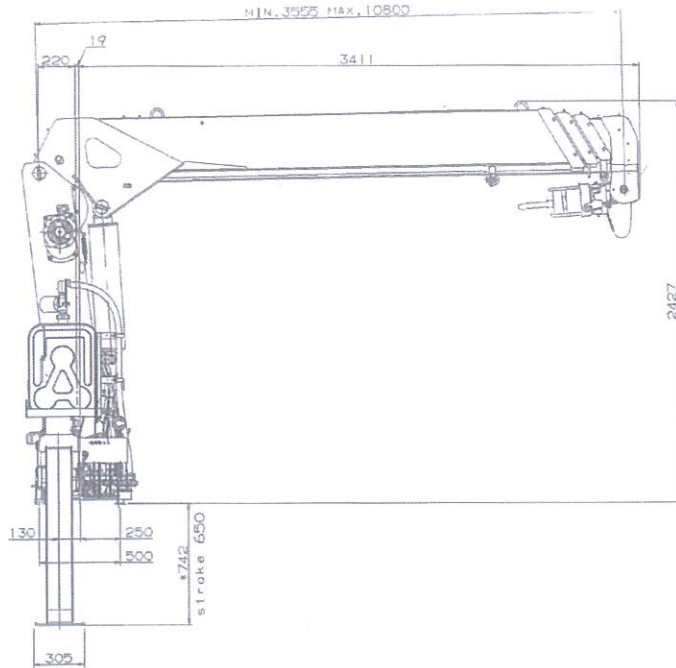




Data Sheet for Hino 500 Series Cargo Crane 5 ton
FG8JJ7A-JG3 (4x2) with Tadano Crane TM-ZT504H
(Lifting Capacity : 5,050kg @2.5m)



DIMENSIONS



GENERAL DATA FOR SUITABLE TRUCKS

- Gross vehicle mass (including crane mass) — 15,000 kg or more
P.T.O. torque — 180 N·m {18.4 kgf·m} min.
P.T.O. revolution — Approx. 1,200 min⁻¹{rpm} max.
Width for crane mounting — Approx. 750 mm min.
Frame — Weight distribution and frame strength should be calculated for each truck
Frame width range (inside to outside) — Approx. 610 to 940 mm
Frame height (ground to frame top) — Approx. 1,290 mm max.
(Height of crane mounting base can be changed by combination of jack floats and crane bases)

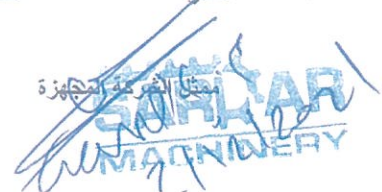
ر.مهندسين
نديم محمود شاكر
ر.اللجنة

ر.مهندسين أقدم
سعد صالح الخليم
عضو

ر.مهندسين أقدم
حيدر ياسين مهدي
عضو

ر.مهندسين
ليث كاظم ميرزا
عضو

ر.مهندسين
محسن قاسم عليوي
عضو





Data Sheet for Hino 500 Series Cargo Crane 5 ton
FG8JJ7A-JG3 (4x2) with Tadano Crane TM-ZT504H
(Lifting Capacity : 5,050kg @2.5m)



Chassis Model: Hino 51625	
Chassis Code : FG8JJ7A-JG3	
Country of Manufacturer : Japan For Chassis & UAE for Cargo Body & Thailand for Crane	
Body Dimensions	mm
Body Length	6,500
Body Width	2,500
Body Height	530
Floor Thickness	4mm (Chequered plate)
Drop side doors	Equipped

ر.مهندسين
نديم محمود شاكر
ر.اللجنة

ر.مهندسين أقدم
سعد صالح اغليم
عضو

ر.مهندسين أقدم
حيدر ياسين مهدي
عضو

ر.مهندسين
ليث كاظم ميرزا
عضو

ر.مهندسين
محسن قاسم عليوي
عضو