



Data Sheet for Hino 500 Series Hino Cargo Crane 10 ton  
FM8JR7A-SG3 (6x4) with Tadano Crane TM-ZT1004H



Maximum Capacity: 10,000 kg @ 1.4m

Lifting Capacity : 4900 kg @3.1m

Chassis Model : Hino 52827	
Chassis Code : FM8JR7A-SG3	
Country of Manufacturer : Japan For Chassis & UAE Cargo Body & Thailand for Crane	
<b>Dimensions</b>	<b>mm</b>
Overall Length ( OL)	9,485
Overall Width ( OW)	2,490
Overall Height (OH)	2,785
Wheel base (WB)	4,630+1350
<b>Weights</b>	<b>Kg</b>
Vehicle mass	7,175
Loading capacity ( Payload )	20,825
Rating Gross Vehicle Mass ( GVMR)	28,000
<b>Engine</b>	
Model & Emission	HINO J08E-WH- EURO3
Type	Diesel , Turbocharged and intercooled , 4 cycle , in-line 6 Cylinder, overhead camshaft, water cooled . Suitable for weather and dusty area in Iraq.
Combustion system	Direct injection type
Displacement (L)	7.684 L
Compression ratio	18.0 : 1
Maximum Power /Speed	195 kW ( 265PS ) @2,500 rpm (JIS Gross) 191 kW ( 260PS ) @2,500 rpm (ISO Net)
Maximum Torque /Speed	804 Nm ( 82kgfm ) @1,500 rpm (JIS Gross) 794 Nm ( 81kgfm ) @1,500 rpm (ISO Net)
Fuel System(Fuel injection pump)	Electronic control, common rail type.
<b>Clutch</b>	Suitable for Iraq, DFCP Aqual.
Type	CSP-380, dry single plate with damper springs, facing outside diameter 380 mm.
<b>Gear Box</b>	
Model	M009, manual 9-speeds, synchromesh , Direct drive
<b>Axles</b>	
<b>Front Axle</b>	
Type	Reversed Elliot, " I " section beam.

ر.مهندسين  
نديم محمود شامر  
ر.اللجنة

ر.مهندسين أقدم  
سعد صالح اغليم  
عضو

ر.مهندسين أقدم  
حيدر ياسين مهدي  
عضو

ر.مهندسين  
ليث كاظم ميرزا  
عضو

ر.مهندسين  
محسن قاسم عليوي  
عضو



Data Sheet for Hino 500 Series Hino Cargo Crane 10 ton  
FM8JR7A-SG3 (6x4) with Tadano Crane TM-ZT1004H

Maximum Capacity: 10,000 kg @ 1.4m

Lifting Capacity : 4900 kg @3.1m



Rating Capacity ( kg)	7,500.
<b>Rear Axle</b>	
Type	Full-floating, single reduction, single speed by hypoid gears, with inter axle differential lock.
Rating Capacity ( kg)	21,800
<b>Steering</b>	
Type	LHD, Telescopic and tilt steering column , recirculating ball integral power steering.
<b>Tire &amp; Wheel</b>	
Front	Front: 315/80R22.5.
Rear	Rear: 295/80R22.5.
No. of Tires	11 ( including 1 spare tire)
Wheels	Front: 22.5 x 9.00 Rear: 22.5 x 8.25 ISO 10 stud wheel
<b>Suspension</b>	
Front	Semi-elliptic leaf springs (reinforced type) with single action shock absorbers.
Rear	Semi-elliptic leaf springs.
<b>Braking System</b>	
Service Brake	Full air, S-cam, leading and trailing shoes, Dual circuit , <b>ABS Equipped.</b>
Parking Brake	Air operated spring brake acting on front and first rear axle, for emergency and parking purpose.
Exhaust Brake	Equipped .
<b>Electrical</b>	
No. of Batteries	2 x 12 V ,65Ah .
Alternator	24 V , 60Ah.
Horn	Electric Horn.
<b>Fuel tank</b>	
Capacity	200 L
Fuel filter	Equipped with pre-filter and Sedimentter.

ر.مهندسين  
نديم محمود شاكر  
ر.اللجنة

ر.مهندسين اقدم  
سعد صالح اعليم  
عضو

ر.مهندسين اقدم  
حيدر ياسين مهدي  
عضو

ر.مهندسين  
ليث كاظم ميرزا  
عضو

ر.مهندسين  
محسن قاسم عليوي  
عضو



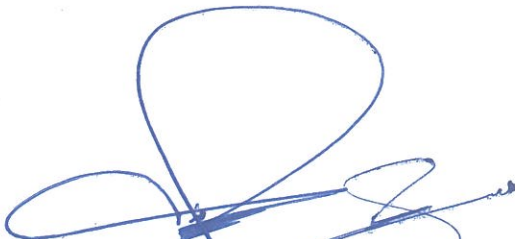
Data Sheet for Hino 500 Series Hino Cargo Crane 10 ton  
FM8JR7A-SG3 (6x4) with Tadano Crane TM-ZT1004H



Maximum Capacity: 10,000 kg @ 1.4m

Lifting Capacity : 4900 kg @3.1m

CABIN	
Type	Forward control, all steel welded construction with torsion bar tilt mechanisms, Semi floating (rubber mounting) .
Seating capacity	Three
Driver seat	High-back 750mm, 8-way adjustable seat .
Seat cover	Vinyl Cover
Seatbelt	Equipped with ELR (Emergency Locking Retractor) and warning
Sun visor	Driver side
Windshield wiper	2-speed with wash and intermittent .
Outside rear view mirror	Equipped .
Air condition	Equipped .
Car Audio	AM/FM radio with CD player.
Cigar lighter	Equipped.
Door Lock	Equipped .
Power Window	Equipped.
Instrument	
Speedometer	Equipped ( Km/h).
Tachometer and over run warning	Equipped with buzzer.
Fuel gauge	Equipped.
Coolant level warning	Equipped.
Air pressure gauge	Equipped.

  
ر.مهندسين  
نديم محمود شاكر  
ر.اللجنة

ر.مهندسين أقدم  
سعد صالح اعليم  
عضو

ر.مهندسين أقدم  
حيدر ياسين مهدي  
عضو

ر.مهندسين  
ايث كاظم ميرزا  
عضو

ر.مهندسين  
محسن قاسم عليوي  
عضو



Data Sheet for Hino 500 Series Hino Cargo Crane 10 ton  
FM8JR7A-SG3 (6x4) with Tadano Crane TM-ZT1004H



Maximum Capacity: 10,000 kg @ 1.4m  
Lifting Capacity : 4900 kg @3.1m

TADANO CARGO CRANE

MODEL: **TM-ZT1004H**

CRANE SPECIFICATIONS

MAXIMUM LIFTING CAPACITY 10,000 kg at 1.4 m (8-part

line) CRANE CAPACITY 4,900 kg at 3.1 m (4-

part line)

BOOM

Four-sectioned, fully powered partly synchronized telescoping boom of pentagonal box construction

Retracted length ----- 4.31m

Extended length ----- 12.91m

Extending speed ----- 8.6 m /

34s

Elevation----- Elevated by a double-acting Hydraulic

cylinder Elevating speed ----- 1° to 82°

/ 17 s Boom point ----- 4 sheaves

WINCH

Hydraulic motor driven Spur gear speed reduction, provided with mechanical brake and cable follower

Single line pull ----- 14.72 kN (1,500 kgf)

Single line speed ----- 44 m/min (at 4th

layer) Wire rope

Diameter x length ----- 10 mm x 80 m

Breaking strength ----- 73.5 kN (7,500

kgf) Construction ----- 7 x 7 + 6 x

Fi(29)

Hook block ----- 4 sheaves

HOOK STOWING DEVICE Mechanically stowed beneath boom top portion

ر.مهندسين  
نديم محمود شاكر  
ر.اللجنة

ر.مهندسين أقدم  
سعد صالح اغليم  
عضو

ر.مهندسين أقدم  
حيدر ياسين مهدي  
عضو

ر.مهندسين  
ليث كاظم ميرزا  
عضو

ر.مهندسين  
محسن قاسم عليوي  
عضو



Data Sheet for Hino 500 Series Hino Cargo Crane 10 ton  
FM8JR7A-SG3 (6x4) with Tadano Crane TM-ZT1004H



Maximum Capacity: 10,000 kg @ 1.4m

Lifting Capacity : 4900 kg @3.1m

SLEWING

Hydraulic motor driven Worm gear speed reduction  
Continuous 360° full circle slewing on ball bearing slew ring  
Automatic slewing lock  
Slewing speed ————— 2.2 min<sup>-1</sup> {rpm}

OUTRIGGERS

Hydraulically extended sliders and hydraulically extended jacks  
Integral with crane frame Power up and down  
Extended width ————— Min. 2,300 mm  
Mid. 3,900 mm  
Max. 5,200 mm

HYDRAULICS

Hydraulic pump ————— Single gear pump  
Hydraulic motors ————— Axial piston type for winch  
Axial piston type for slewing  
Control valves ————— Multiple control valves with integral  
safety valve  
Oil tank capacity ————— approx. 90 L

SAFETY DEVICES


Load meter  
Load indicator  
Over-winding alarm  
Anti-two-block device  
Hook safety latch  
Hydraulic safety valves, check valves and holding valves  
Level gauge


CRANE MASS


Approx. 2,760 kg (except mounting parts)


NOTE : Operating speeds of the crane are guaranteed under the condition that the pump  
delivery is 60 L/min.

  
ر.مهندسين  
نديم محمود شاكر  
ر.اللجنة

  
ر.مهندسين اقدم  
سعد صالح اغليم  
عضو

  
ر.مهندسين اقدم  
حيدر ياسين مهدي  
عضو

  
ر.مهندسين  
ايت كاظم ميرزا  
عضو

  
ر.مهندسين  
محسن قاسم عليوي  
عضو



Data Sheet for Hino 500 Series Hino Cargo Crane 10 ton  
FM8JR7A-SG3 (6x4) with Tadano Crane TM-ZT1004H



Maximum Capacity: 10,000 kg @ 1.4m

Lifting Capacity : 4900 kg @3.1m

## RATED LIFTING CAPACITIES IN KILOGRAMS

### Crane Strength Rated Capacities

Load Radius	4.31 m Boom	Load Radius	7.19 m Boom	Load Radius	10.05 m Boom	Load Radius	12.91 m Boom
1.4 m and below	10,000	2.25 m and below	6,000	4.5 m and below	3,000	4.5 m and below	3,000
1.85 m	8,000	3.1 m	4,900	5.0 m	2,900	5.0 m	2,650
2.25 m	6,000	3.5 m	4,200	6.0 m	2,200	6.0 m	2,200
3.1 m	4,900	4.0 m	3,700	7.0 m	1,800	7.0 m	1,800
3.5 m	4,200	4.5 m	3,300	8.0 m	1,550	8.0 m	1,500
4.06 m	3,650	5.0 m	2,900	9.0 m	1,350	9.0 m	1,300
		6.0 m	2,200	9.8 m	1,200	10.0 m	1,100
		6.94 m	1,800			11.0 m	950
						12.66 m	700

- NOTES : 1. The above numerical values of total rated loads are based on crane strength only. The total rated loads based on stability may lower than those in the above table depending on the loading conditions and the types of the chassis.
2. Rated Lifting Capacities in these tables depend on condition that crane is set level on firm level ground.
3. The mass of the hook (90 kg), slings and all similarly used load lifting devices must be added to the mass of the load.
4. For boom lengths not shown, use the rated lifting capacity of next longer boom.
5. 10.05 m boom means  $\square$  mark on 3rd boom section side plate is half seen.
6. When the lifting load is heavier than 6,000kg, number of part lines must be 8. In case of 6,000kg or less, number of part lines must be 4. Load per line must not surpass 14.7kN{1,500kgf}.

ر.مهندسين  
نديم محمود شاكر  
ر.اللجنة

ر.مهندسين اقدم  
سعد صالح اعليم  
عضو

ر.مهندسين اقدم  
حيدر ياسين مهدي  
عضو

ر.مهندسين  
ليث كاظم ميرزا  
عضو

ر.مهندسين  
محسن قاسم عليوي  
عضو





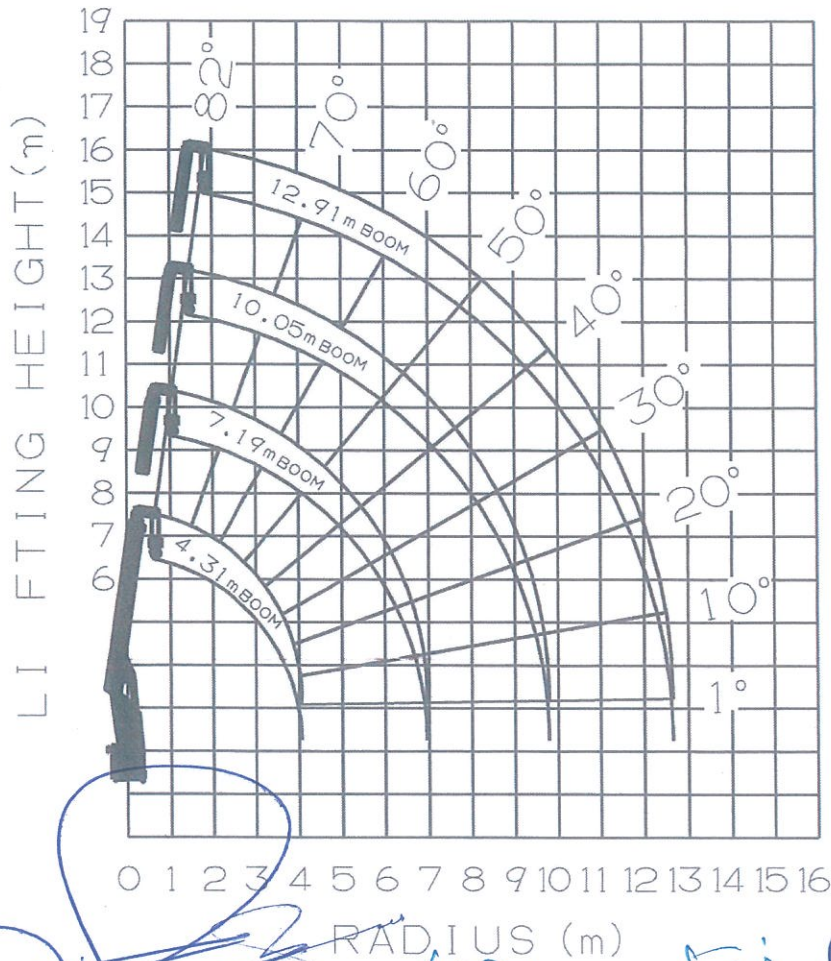
Data Sheet for Hino 500 Series Hino Cargo Crane 10 ton  
FM8JR7A-SG3 (6x4) with Tadano Crane TM-ZT1004H



Maximum Capacity: 10,000 kg @ 1.4m

Lifting Capacity : 4900 kg @3.1m

### WORKING RANGE



ر.مهندسين  
 نديم محمود شاكر  
 ر.اللجنة

ر.مهندسين اقدم  
 سعد صالح اغليم  
 عضو

ر.مهندسين اقدم  
 حيدر ياسين مهدي  
 عضو

ر.مهندسين  
 ايث كاظم ميرزا  
 عضو

ر.مهندسين  
 محسن قاسم عليوي  
 عضو

ممثل الشركة المجهزة  
 SARLAR MACHINERY  
 2112121

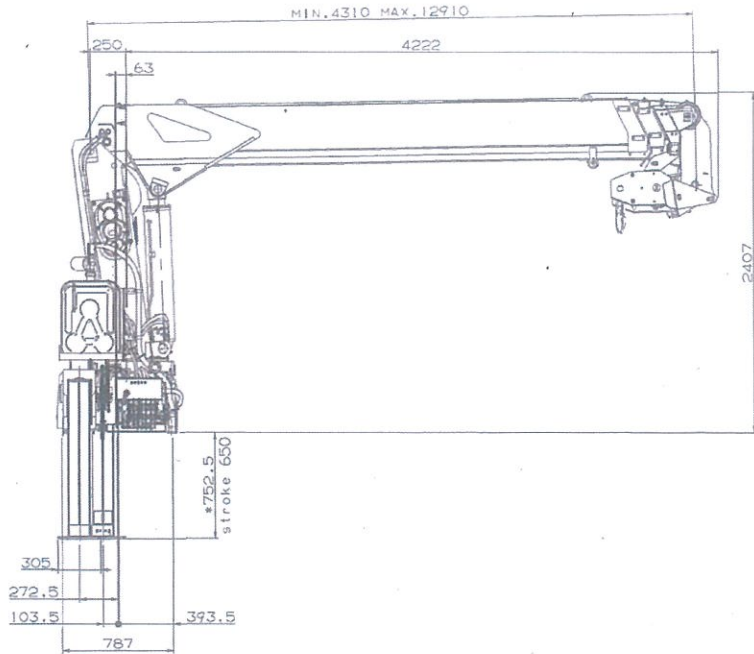


Data Sheet for Hino 500 Series Hino Cargo Crane 10 ton  
FM8JR7A-SG3 (6x4) with Tadano Crane TM-ZT1004H

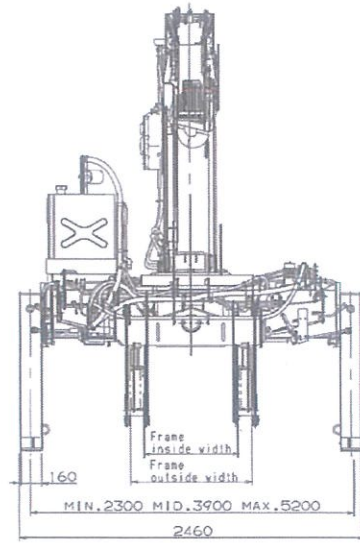


Maximum Capacity: 10,000 kg @ 1.4m

Lifting Capacity : 4900 kg @3.1m



DIMENSIONS



NOTE: The above lifting heights and boom angles are based on a straight (unladen) boom, and allowance should be made for boom deflection obtained under laden conditions

GENERAL DATA FOR SUITABLE TRUCKS

- Gross vehicle mass (including crane mass) — 25,000 kg or more
  - P.T.O. torque — 180 N·m{18.4 kgfm} min.
  - P.T.O. revolution — Approx. 1,200 min<sup>-1</sup>{rpm} max.
  - Width for crane mounting — Approx. 1,000 mm min.
  - Frame — Weight distribution and frame strength should be calculated for each truck
  - Frame width range (inside to outside) — Approx. 610 to 940 mm
  - Frame height (ground to frame top) — Approx. 1,300 mm max.
- (Height of crane mounting base can be changed by combination of jack floats and crane bases)

ر.مهندسين  
نديم محمود شاكر  
ر.اللجنة

ر.مهندسين أقدم  
سعد صالح اغليم  
عضو

ر.مهندسين أقدم  
حيدر ياسين مهدي  
عضو

ر.مهندسين  
ليث كاظم ميرزا  
عضو

ر.مهندسين  
محسن قاسم عليوي  
عضو

ممثل الشركة المجهزة  
SARCAR MACHINERY  
21/2/2021



Data Sheet for Hino 500 Series Hino Cargo Crane 10 ton  
FM8JR7A-SG3 (6x4) with Tadano Crane TM-ZT1004H  
Maximum Capacity: 10,000 kg @ 1.4m  
Lifting Capacity : 4900 kg @3.1m



Chassis Model : Hino 52827	
Chassis Code : FM8JR7A-SG3	
Country of Manufacturer : Japan For Chassis & UAE Cargo Body & Thailand for Crane	
Body Dimensions	mm
Body Length	6,500
Body Width	2,500
Body Height	530
Floor Thickness	4 mm ( Chequered plate)
Drop side doors	Equipped

ر.مهندسين  
نديم محمود شاكر  
ر.اللجنة

ر.مهندسين أقدم  
سعد صالح اغليم  
عضو

ر.مهندسين أقدم  
حيدر ياسين مهدي  
عضو

ر.مهندسين  
ليث كاظم ميرزا  
عضو

ر.مهندسين  
محسن قاسم عليوي  
عضو